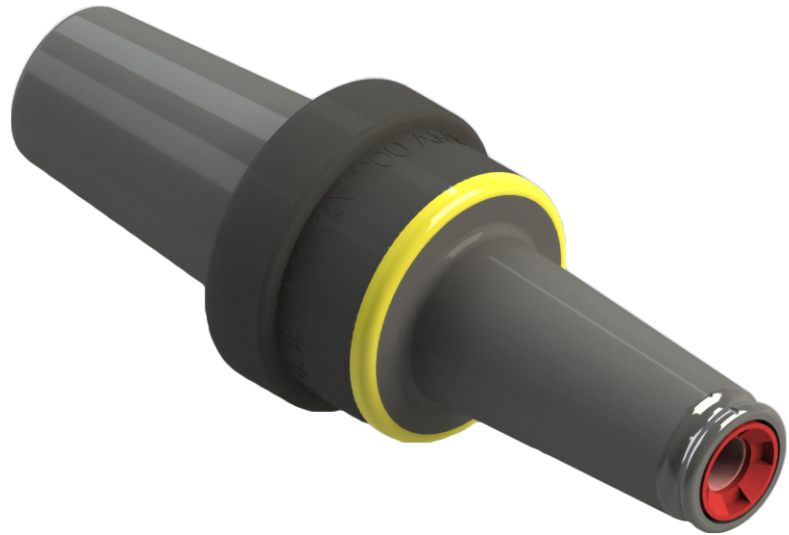


# 15kV Loadbreak Elbow Tap Plug

Product Data Sheet

The Richards 15kV Elbow Tap Plug (P615ETP) converts a 15/25kV Deadbreak interface (IEEE 386 Interface 11) to a 15kV 200A Loadbreak interface (IEEE 386 Interface 5). This allows a component such as Loadbreak Elbow, Loadbreak Insulating Cap or Arrester to be installed. The Elbow Tap Plug features a yellow seating indicator ring which becomes completely covered once the appropriate mating component is fully seated.

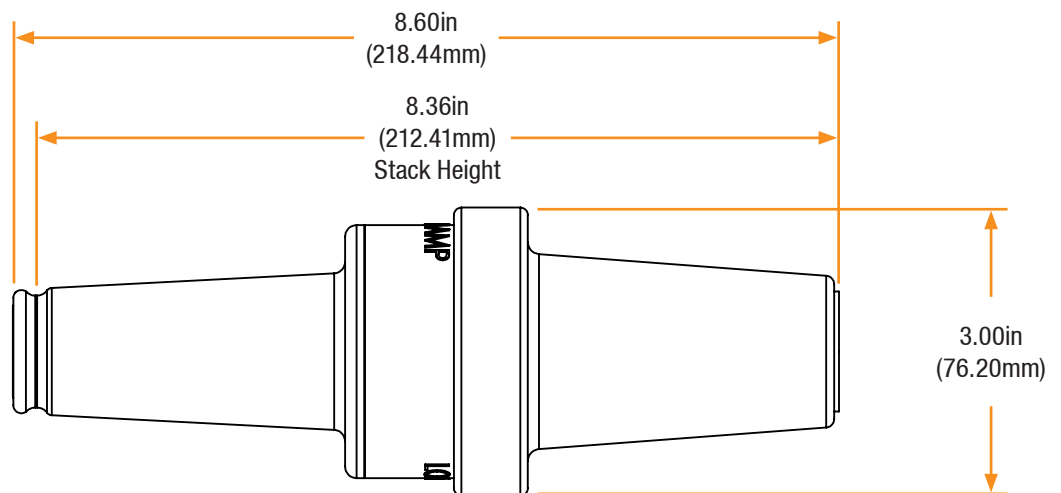
The Elbow Tap Plug is torqued by engaging an internal 3/8" hex broach using the P6AT (or similar) assembly tool.



## Features

- 100% EPDM Composition
- Injection Molded & Peroxide-Cured
- Made in the USA
- Yellow Seating Indicator Ring

## Basic Dimensions



# 15kV Loadbreak Elbow Tap Plug

### Installation

15kV Loadbreak Elbow Tap Plug installation is covered by:  
**RP-II-ETP**

### Related Products

#### P625HIP-STUD

15/25kV Aluminum Threaded Stud

#### P925HIP-STUD

15/25kV Copper Threaded Stud

#### P6AL-X

Aluminum Compression Lug

#### P9CU-X

Copper Compression Lug

#### P6ALR-X

Aluminum Range Taking Lug

#### P7ALCU-X

Copper-Top Compression Lug

#### 62LCN/62LCT

15/25kV Deabreak Elbow

#### 92LCN/92LCT

15/25kV Deabreak Elbow

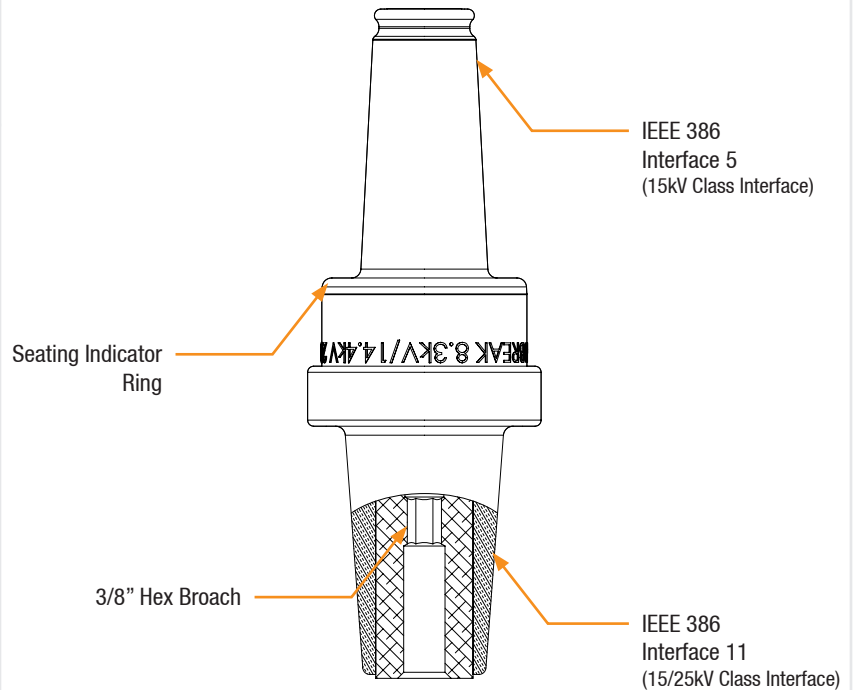
#### P625HIP

15/25kV Aluminum Insulating Plug

#### P925HIP

15/25kV Copper Insulating Plug

### Detail View



### Production Testing

IEEE requires a Partial Discharge test and choice between AC withstand and Impulse.

Richards runs 3/3 tests on **all** Medium Voltage products governed by IEEE 386. <sup>®</sup>

#### 100% Routine Electrical Test:

- Partial Discharge
- AC Withstand
- Impulse Withstand

### Product Ratings

Voltage Ratings	
Maximum Voltage Rating – (phase to ground)	8.3kV
Corona Voltage Level – (partial discharge extinction voltage)	11kV
AC Withstand – (1 minute)	34kV
Impulse-Withstand Voltage – (BIL)	95kV

Current Ratings (Deadbreak Side)	
Continuous	600A
Short-Time Current	25kA, 10c. and 10kA, 3s.

Current Ratings (Loadbreak Side)	
Continuous	200A
Short-Time Current	10kA, 10c. and 3.5kA, 3s.

The 15kV Loadbreak Elbow Tap Plug is qualified to the following industry standards:

- ANSI/IEEE Std. 386-2016: For Separable Insulated Connector Systems
- ANSI C119.4: For Electric Connectors
- IEEE Std 592: For Exposed Semiconducting Shields

<sup>®</sup> Exceeds IEEE 386 requirement